

The
United
States
of
America



**The Director of the United States
Patent and Trademark Office**

Has received an application for a patent for a new and useful invention. The title and description of the invention are enclosed. The requirements of law have been complied with, and it has been determined that a patent on the invention shall be granted under the law.

Therefore, this

United States Patent

Grants to the person(s) having title to this patent the right to exclude others from making, using, offering for sale, or selling the invention throughout the United States of America or importing the invention into the United States of America for the term set forth below, subject to the payment of maintenance fees as provided by law.

If this application was filed prior to June 8, 1995, the term of this patent is the longer of seventeen years from the date of grant of this patent or twenty years from the earliest effective U.S. filing date of the application, subject to any statutory extension.

If this application was filed on or after June 8, 1995, the term of this patent is twenty years from the U.S. filing date, subject to any statutory extension. If the application contains a specific reference to an earlier filed application or applications under 35 U.S.C. 120, 121 or 365(c), the term of the patent is twenty years from the date on which the earliest application was filed, subject to any statutory extensions.

A handwritten signature in black ink, appearing to read "James H. Jones". The signature is written in a cursive style with a long horizontal line extending from the end.

Director of the United States Patent and Trademark Office



US006657129B2

(12) **United States Patent**
Stärk

(10) **Patent No.:** **US 6,657,129 B2**
(45) **Date of Patent:** **Dec. 2, 2003**

- (54) **METHOD AND DEVICE FOR FIXING A CERAMIC COMPONENT IN A METALLIC SUPPORT**
- (75) **Inventor:** Klaus Friedrich Stärk, Untersiggenthal (CH)
- (73) **Assignee:** Alstom (Switzerland) Ltd, Baden (CH)
- (*) **Notice:** Subject to any disclaimer, the term of this patent is extended or adjusted under 35 U.S.C. 154(b) by 0 days.

4,312,599 A	1/1982	Darolia	
4,396,445 A	8/1983	Sasaki et al.	
4,495,684 A	* 1/1985	Sander et al.	29/888.045
4,874,674 A	10/1989	Oda et al.	
4,915,719 A	* 4/1990	Saffari	65/32.2
4,991,991 A	2/1991	Ito et al.	
5,174,660 A	12/1992	Seibig	
5,273,203 A	* 12/1993	Webster	228/124.6
5,496,646 A	3/1996	Bacigalupo	
5,563,562 A	* 10/1996	Szwec	333/260
5,994,975 A	* 11/1999	Allen et al.	333/26
6,321,885 B1	* 11/2001	Wendt	188/218 XL

- (21) **Appl. No.:** 10/261,412
- (22) **Filed:** Oct. 2, 2002

- (65) **Prior Publication Data**
US 2003/0029016 A1 Feb. 13, 2003

Related U.S. Application Data

- (62) Division of application No. 09/799,117, filed on Mar. 6, 2001, now Pat. No. 6,531,028.

- (30) **Foreign Application Priority Data**
Mar. 6, 2000 (DE) 100 10 923

- (51) **Int. Cl.⁷** H01B 17/16
- (52) **U.S. Cl.** 174/158 R; 174/142; 174/152 R; 428/632; 156/89.25
- (58) **Field of Search** 174/137 A, 137 B, 174/142, 152 R, 152 GM, 158 R; 156/89.11, 89.25, 293; 428/632

- (56) **References Cited**
U.S. PATENT DOCUMENTS
4,103,416 A * 8/1978 Sakamoto 29/827

FOREIGN PATENT DOCUMENTS

DE	2013713	10/1971
DE	3039479 A1	9/1981
DE	3535511 A1	4/1986
DE	4032803 C2	4/1992
DE	4301927 A1	9/1993

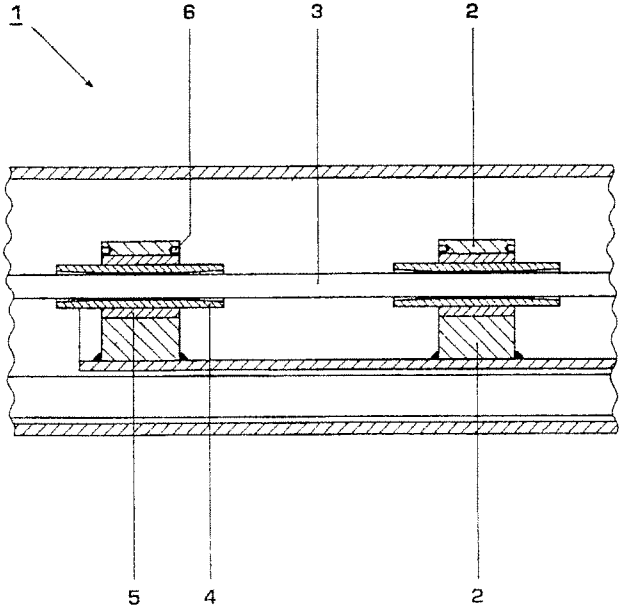
* cited by examiner

Primary Examiner—Dean A. Reichard
Assistant Examiner—Adolfo Nino
 (74) *Attorney, Agent, or Firm*—Burns, Doane, Swecker & Mathis, L.L.P.

(57) **ABSTRACT**

A device for fixing a ceramic component in a metallic support is provided. The device includes a bush, which is produced from gray cast iron with lamellar graphite, arranged at those locations of the ceramic component where the ceramic component is fixed in the metallic support. Internal oxidation of the gray cast iron with lamellar graphite attaches the ceramic component to the bush.

3 Claims, 3 Drawing Sheets



METHOD AND DEVICE FOR FIXING A CERAMIC COMPONENT IN A METALLIC SUPPORT

This application is a divisional of application Ser. No. 09/799,117, filed on Mar. 6, 2001, now U.S. Pat. No. 6,531,028.

FIELD OF THE INVENTIONS

The invention relates to a method and a device for fixing a ceramic component in a metallic support. A ceramic component of this type is, for example, the ceramic insulating bush for the high-voltage ignition conductor which is arranged in the ignition torch of a gas turbine.

BACKGROUND OF THE INVENTION

It is known prior art to use ceramic adhesives to cement insulating bushes made of Al_2O_3 in the metallic support of the ignition torch of a gas turbine. The insulating bushes insulate the high-voltage ignition conductor from the metallic support.

To ensure a good connection between the metallic support and the insulating bushes, heat curing of the adhesive must take place.

This known type of fastening of ceramic insulating bushes in a metallic support has a series of disadvantages. On the one hand, the ceramic adhesive is very difficult to introduce into the intermediate space between the insulating bush and the metallic support. Sometimes it must be injected into the intermediate space with a syringe, which is difficult to handle. The ceramic adhesive used requires a very narrow gap. This has unfavorable effects on assembly. On the other hand, the adhesive shrinks considerably during curing (by about 20 to 30%), which leads to a reduction in the adhesive, with the result that the bush is often cemented only poorly in the metallic support and the adherence is inadequate.

SUMMARY OF THE INVENTION

The invention is based on the object of eliminating these disadvantages of the known prior art and developing a method for fixing a ceramic component in a metallic support and a device for this purpose which is easy to handle, always ensures good adherence between the ceramic component and the metallic support and is available inexpensively and everywhere.

According to the invention, this is achieved in the case of a method for the fixing of a ceramic component in a metallic support by a bush consisting of gray cast iron with lamellar graphite being placed around the ceramic component in a first method step, the ceramic component including the bush being annealed at temperatures in the range from 500 to 750° C. in a second method step, until the bush has an increase in volume as a result of internal oxidation that causes the ceramic component to be permanently fixed by shrinkage and, after cooling down, the ceramic component with the bush being introduced into the metallic support and secured in the support.

According to the invention, this is achieved in the case of a device for the fixing of a ceramic component in a metallic support by the device comprising a bush which is produced from gray cast iron with lamellar graphite and is arranged at those locations of the ceramic component at which the ceramic component is to be fixed in the metallic support, the ceramic component being fixed in the bush by shrinkage on account of internal oxidation of the gray cast iron with

lamellar graphite. The ceramic component is, for example, an insulating bush for a high-voltage ignition conductor which is arranged in the ignition torch of a gas turbine.

The advantages of the invention are that a permanent connection can be produced by a simple annealing operation, without special assembly know-how being necessary. Since the increase in volume of the gray cast iron occurs only where oxygen enters during the annealing operation, uniform surface pressure occurs between the ceramic component and the bush made of gray cast iron. A self-healing effect advantageously occurs, because at temperatures above 500° C. the oxidation recommences where the connection has loosened. It stops where no more oxygen enters. In this way, very good adherence is achieved. Finally, it is also an advantage of the invention that the connection can be nondestructively released again at high temperature (about 700 to 800° C.) by pressing out.

It is expedient if the annealing of the ceramic component including the bush made of gray cast iron with lamellar graphite is carried out at a temperature of approximately 700° C. At this temperature, the internal oxidation takes place in a comparatively short time, which has favorable effects on production costs.

It is also advantageous if the bush made of gray cast iron with lamellar graphite is secured in the metallic support by center punch marks on the support. This is a simple and quick method.

It is also of advantage if GG 20-25 is used as the material for the bush, because this material is available everywhere and is comparatively inexpensive. What is more, the graphite flakes are open toward the outside, so that in this way oxygen is brought into the material, making the internal oxidation and the associated increase in volume possible in the first place.

Finally, it is expedient if glass ceramic with a similar modulus of elasticity and coefficient of thermal expansion as the bush made of gray cast iron with lamellar graphite is used as the material for the ceramic component, because in this way no additional longitudinal stresses are produced in the ceramic in the event of temperature changes.

(A) Preferred embodiment/s of the invention is/are disclosed in the following description and is illustrated in the accompanying drawings, in which:

FIG. 1 is a partial sectional view of the ignition torch of a gas turbine.

FIG. 2 is perspective view of the glass ceramic and gray cast-iron bush after the annealing treatment.

FIG. 3 is a diagram in which the dependance of the pressing force caused by internal oxidation of GG 20 on the annealing duration and annealing temperature is represented.

DETAILED DESCRIPTION OF THE INVENTION

In FIG. 1, a partial sectional view of the ignition torch 1 of a gas turbine is represented. A high-voltage ignition conductor 3 is arranged in a metallic support 2, for example made of St S 18/8. This high-voltage ignition conductor 3 is insulated from the metallic support 2 by means of a plurality of ceramic components 4, which are arranged around the circumference of the high-voltage ignition conductor spaced apart from one another in the axial direction of the high-voltage ignition conductor 3. In FIG. 1, two ceramic components 4 are depicted by way of example. In this exemplary embodiment, the components 4 are insulating bushes made

3

of glass ceramic. Glass ceramic can be machined well by turning and has a similar modulus of elasticity and coefficient of thermal expansion as gray cast iron. Arranged around the components 4 at the locations at which they are to be fixed in the metallic support 2 are bushes 5 made of gray cast iron with lamellar graphite, here GG 20. The ceramic components 4 are anchored in the bushes 5 on account of internal oxidation of the gray cast iron with lamellar graphite, i.e. the ceramic is fixed in terms of pressure.

The method according to the invention is characterized in that the bush 5, consisting of gray cast iron with lamellar graphite, preferably GG 20-25 (DIN 1691), is placed around the ceramic component 4 in a first method step, the ceramic component 4 including the bush 5, i.e. as one part, are annealed at temperatures in the range from 500 to 750° C. in a second method step, until the bush 5 has an increase in volume as a result of internal oxidation that causes the ceramic component 4 to be permanently fixed, and in that finally, after cooling down, the ceramic component 4 with the bush 5 is introduced into the metallic support 2 and secured in the support 2 in the last method step. This securing preferably takes place simply by means of center punch marks on the support 2. The placement points for the securing center punches (blind holes for placing the center punch when securing against slipping out) are designated in FIG. 1 by 6.

To be specified as preferred treatment parameters for the joint annealing of the ceramic component 4 and the gray cast-iron bush 5 are approximately 700 to 750° C. and 2 days (48 hours). At these treatment temperatures, the internal oxidation takes place in a comparatively short time, which has favorable effects on production costs.

FIG. 2 shows a sectional view of the glass-ceramic and gray cast-iron bush after the annealing treatment. The ceramic component 4 is firmly connected to the bush 5 made of GG 20 and is consequently fixed in terms of pressure by frictional forces.

The advantages of the invention are that a permanent connection of a ceramic component 4 and a bush 5 can be produced by a simple annealing operation, without special assembly know-how being necessary. Since the increase in volume of the gray cast iron with lamellar graphite occurs only where oxygen enters during the annealing operation, uniform surface pressure occurs between the ceramic component 4 and the bush 5 made of gray cast iron. A self-healing effect advantageously occurs, because at temperatures above 500° C. the oxidation recommences where the connection has loosened. It stops where no more oxygen enters. In this way, very good adherence is achieved. Finally, it is also an advantage of the invention that the connection can be nondestructively released again at high temperature

4

by pressing out. A further advantage of the invention is that GG 20 to GG 25 can be used as the material for the bush. This material is inexpensive and easily available everywhere.

What is more, the graphite flakes are open toward the outside, so that in this way oxygen is brought into the material, making the internal oxidation and the associated increase in volume possible in the first place. If gray cast iron with nodular graphite were used instead of gray cast iron with lamellar graphite, the invention would not be effective, because no oxygen uptake over a relatively large volume can occur and consequently no internal oxidation can occur.

FIG. 3 shows in a diagram the dependence of the force which is necessary to press the ceramic component 4 out of the bush 5 made of GG 20 after oxidation in—as a function of the annealing duration and annealing temperature. The pressing force increases with increasing annealing duration (10-60 hours) and increasing annealing temperature (550-750° C.).

It goes without saying that the invention is not restricted to the exemplary embodiment described.

What is claimed is:

1. A device for fixing a ceramic component to a metallic support, the device comprising:

a bush which is produced from gray cast iron with lamellar graphite, and is arranged at those locations of the ceramic component where the ceramic component is fixed in the metallic support,

wherein internal oxidation of the gray cast iron with lamellar graphite attaches the ceramic component to the bush.

2. The device as claimed in claim 1, wherein the ceramic component is an insulating bush for a high-voltage ignition conductor.

3. A device, comprising:

a high voltage conductor;

at least one ceramic component which is arranged around the circumference of the high voltage conductor and spaced apart from one another in the axial direction of the high voltage conductor;

at least one bush, which is made of gray cast iron with lamellar graphite, fixed to the at least one ceramic component, respectively, as a result of an internal oxidation; and

at least one metallic support in which the at least one ceramic component and the at least one bush, respectively, are secured to the metallic support.

* * * * *

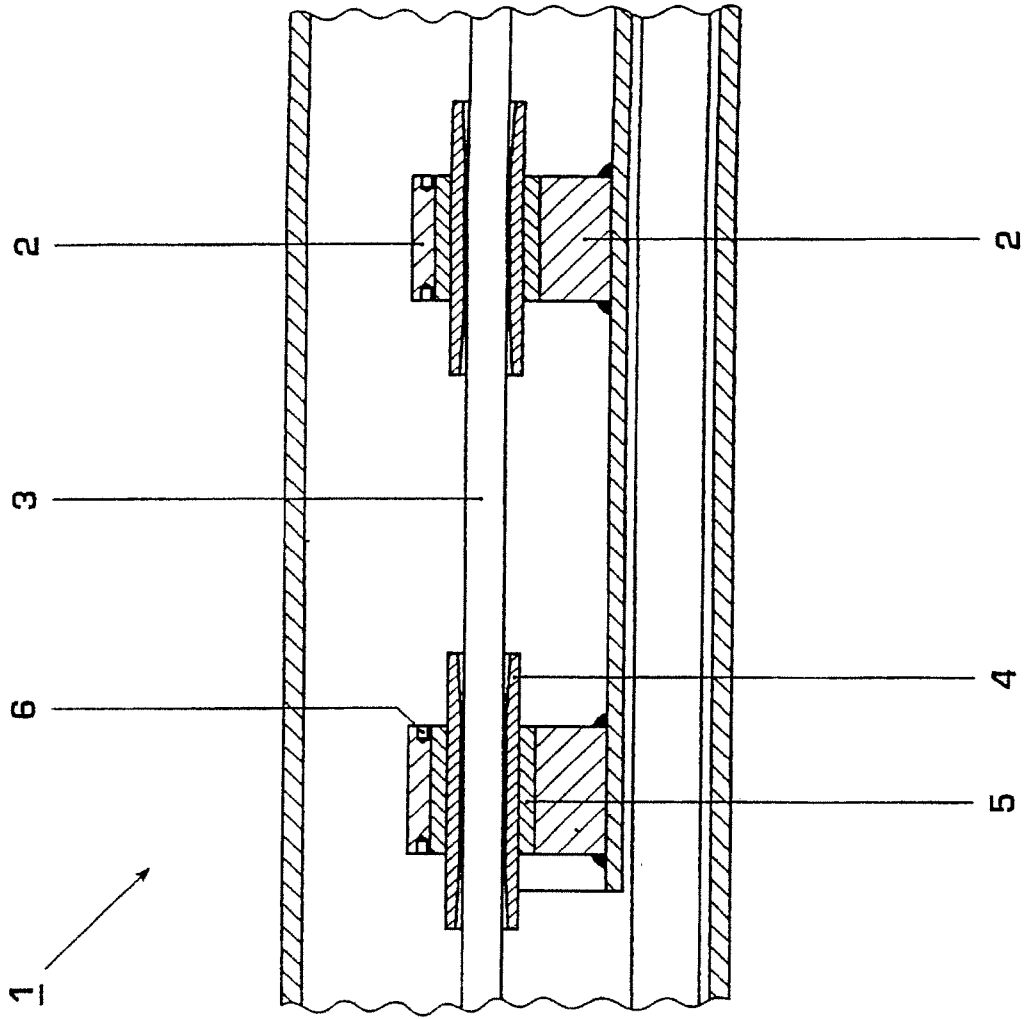


Fig. 1

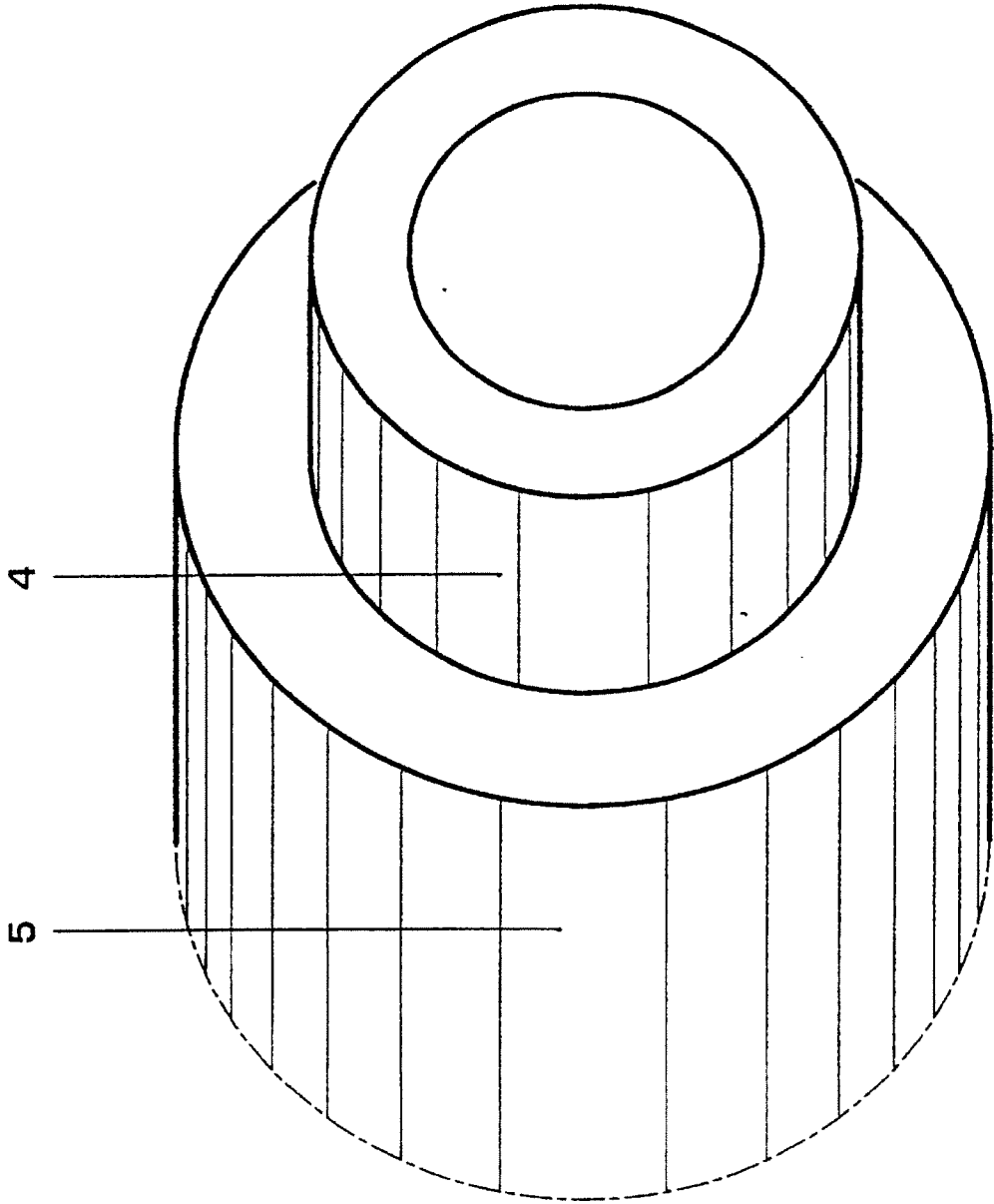


Fig. 2

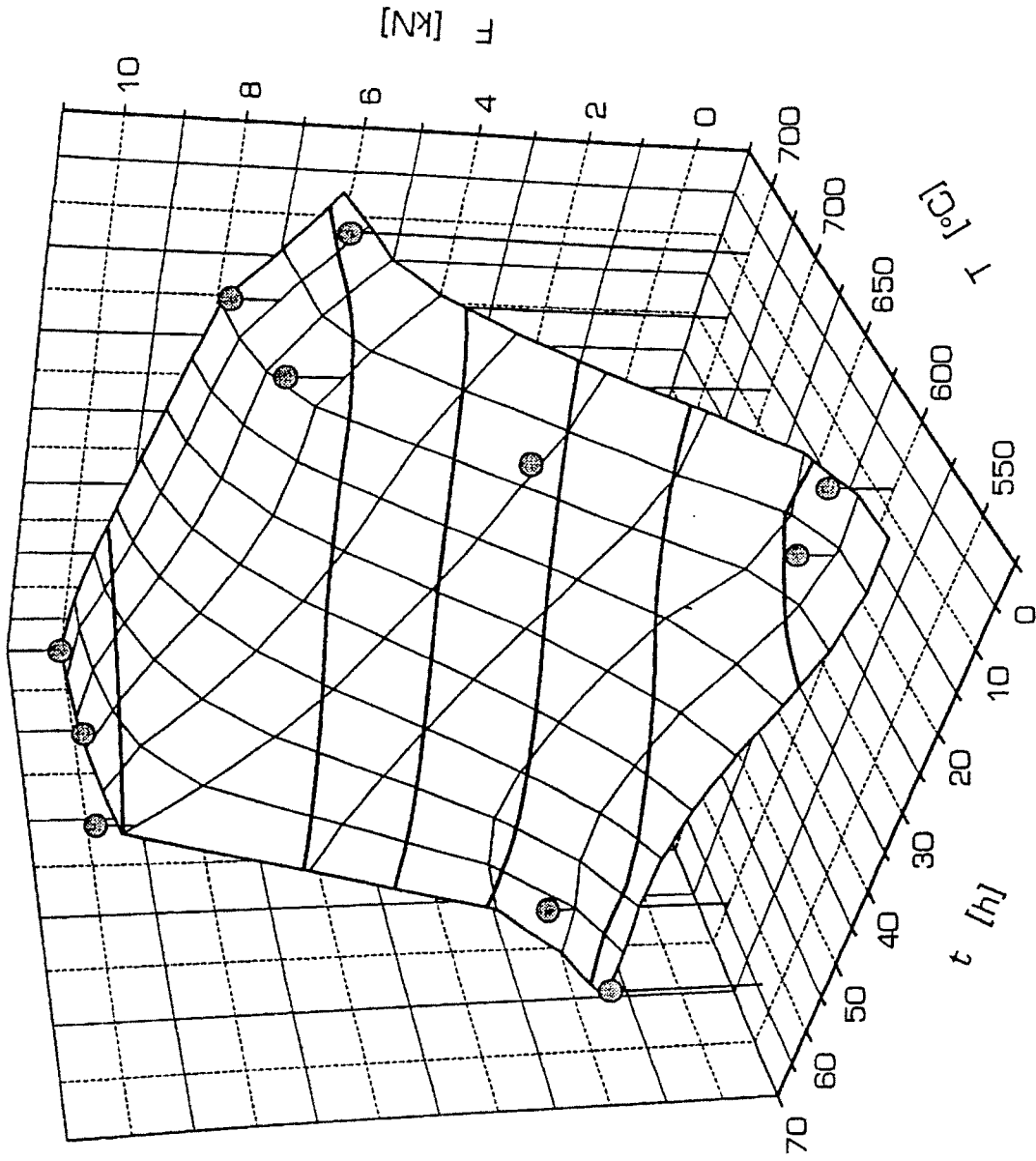


Fig. 3



EPA/EPO/OEB
 D-10958 Berlin
 + 49 30 25901-0
 TX
 FAX + 49 30 25901-840

Europäisches
 Patentamt

Eingangs-
 stelle

European
 Patent Office

Receiving
 Section

Office européen
 des brevets

Section de
 Dépôt

Stärk, Klaus Friedrich, Dr.
 Langacherstrasse 11
 5417 Untersiggenthal
 SUISSE

Datum/Date
 24/04/01

Zeichen/Ref./Réf.	Anmeldung Nr./Application No./Demande n°/Patent Nr./Patent No./Brevet n°.
	01104836.0-2309
Anmelder/Applicant/Demandeur/Patentinhaber/Proprietor/Titulaire ALSTOM Power N.V.	

NENNUNG ALS ERFINDER - MITTEILUNG GEMÄSS REGEL 17(3) EPÜ

In der obenbezeichneten europäischen Patentanmeldung sind Sie als Erfinder genannt worden. Nachstehend werden Ihnen die in der Erfindernennung enthaltenen und die weiteren in Art. 128(5) EPÜ vorgesehenen Angaben mitgeteilt:

- ANMELDETAG : 28.02.01
- PRIORITÄT : DE/06.03.00/DE 10010923
- BEZEICHNUNG : Verfahren und Vorrichtung zur Fixierung einer keramischen Komponente in einem metallischen Support

BENANNTE VERTRAGSSTAATEN: AT BE CH CY DE DK ES FI FR GB GR IE IT LI LU
 MC NL PT SE TR

ERFINDER (VERÖFFENTLICHT = 1, NICHT VERÖFFENTLICHT = 2):
 1/Stärk, Klaus Friedrich, Dr./Langacherstrasse 11/5417
 Untersiggenthal/CH

ERKLÄRUNG NACH ARTIKEL 81 EPÜ:
 Der (Die) Anmelder hat (haben) das Recht auf das europäische Patent erlangt gemäss Vertrag vom 211299

EINGANGSSTELLE

